



W32RO MANTEL AND BASE ASSEMBLY AND INSTALLATION INSTRUCTIONS



IMPORTANT: Read entire instruction sheet before assembling or installing mantel kit.

This mantel is only approved for use with DESA Heating, LLC 32" fireplace systems. Do not use mantel with any other product.

This mantel kit contains the following:

- Mantel pieces - unassembled and marked as follows:

- #1 Base
- #2 Right Side with arrow
- #3 Right Front Leg with arrow
- #4 Left Side with arrow
- #5 Left Front Leg with arrow
- #6 Header with arrow
- #7 Top

- Hardware Kit*

- | | |
|---------------------------------|-----------|
| 14 - Metal Brackets | 118937-01 |
| 28 - Screws M6 x 12 mm (1/2") | 121149-01 |
| 11 - Screws M6 x 30 mm (1 1/4") | 121335-01 |
| 11 - Washers M6 | 121336-01 |
| 1 - Allen Wrench | 121337-01 |

* Extra hardware may be included.

If any wood pieces are missing or damaged, contact the dealer where you purchased this mantel for replacement. If hardware is missing or damaged, contact DESA Heating, LLC at 1-866-672-6040 for referral. You can also visit DESA Heating, LLC's web site at www.desatech.com.

Note: Gather all mantel pieces together before assembling.

ASSEMBLING MANTEL

WARNING: Use only 1/2" screws to attach metal angle brackets. Damage to mantel will result if other screws are used for this purpose.

IMPORTANT: More than one person is required to lift assembled mantel. Lift mantel by leg assemblies. Lifting by header or mantel top could damage mantel.

When assembling mantel do not tighten screws completely until told to do so. There should be some play in the pieces to allow for proper alignment and best possible fit. It is very important that more than one person assemble mantel. Panels must be held in proper alignment to each other while tightening screws to assure fewer gaps and proper surface alignment. When tightening screws, do not over tighten. This may cause threads to strip. The supplied Allen wrench should be used rather than a power screwdriver. Panels have threaded inserts installed at screw locations. Screws should start and turn easily in threaded holes when assembled according to instructions. Do not force screws into holes.

IMPORTANT: A serial number label is located inside of right side panel and on outside package. When calling to request technical assistance or for replacement parts please have serial number ready.

1. Lay right side panel (#2) face down on a soft surface to avoid marking finish. Attach four brackets with 1/2" screws to bottom of right front leg (#3) leaving screws slightly loose. Face brackets out (see Figure 1). Place right front leg (#3) over right side (#2) as shown in Figure 2, paying close attention to direction arrow pointing up on panels. Align threaded holes with brackets on side. Start four 1/2" screws through brackets. Align bottom of side and leg assembly so they are flush with each other. Hold these pieces securely in alignment while tightening (but not over tightening) screws.
2. Assemble left side (#4) and left leg (#5) as described in step 1.
3. Attach 6 brackets to base (#1) at threaded hole locations using 1/2" screws leaving screws loose. Face brackets toward outside (see Figure 2).

4. Place right side/leg assembly on base and align threaded holes with brackets. Start 1/2" screws through brackets into threaded holes in side/leg assembly. Back of side/leg assembly should be flush with back of base. Assure alignment is correct and spaces are at a minimum and tighten leaving screws slightly loose.
5. Assemble left side/leg assembly to base (#1) following step #4.

HEADER ASSEMBLY

Position header (#6) between leg assemblies onto shoulders with direction arrow pointing up. Align threaded holes in header with holes in leg assembly (see Figure 4). Attach header (#4) with four 1 1/4" screws and washers (see Figure 4). Hold header in proper alignment with leg assemblies and tighten, leaving screws slightly loose.

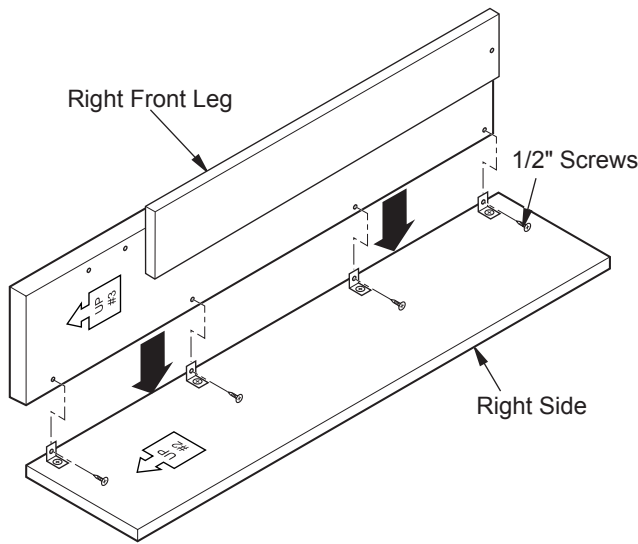


Figure 1 - Attaching Front Leg

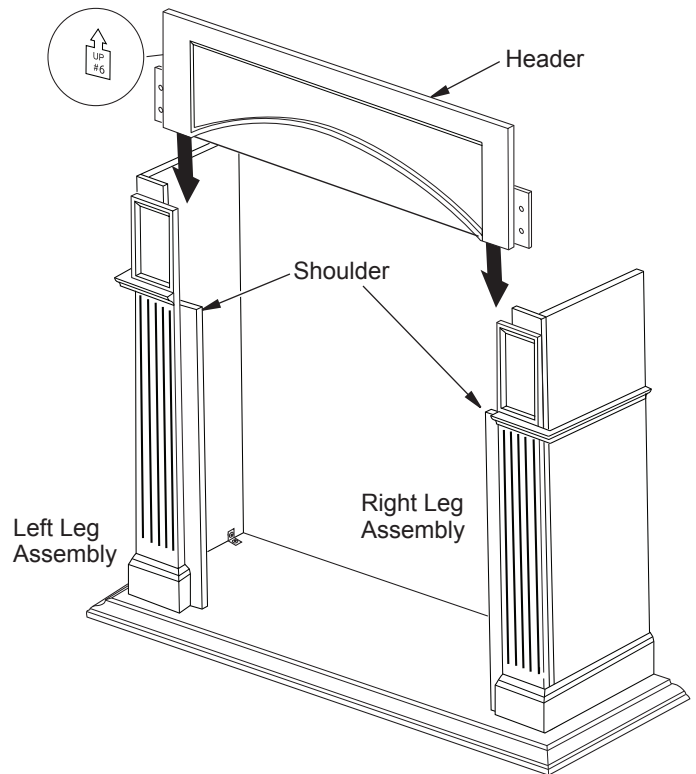


Figure 3 - Installing Header

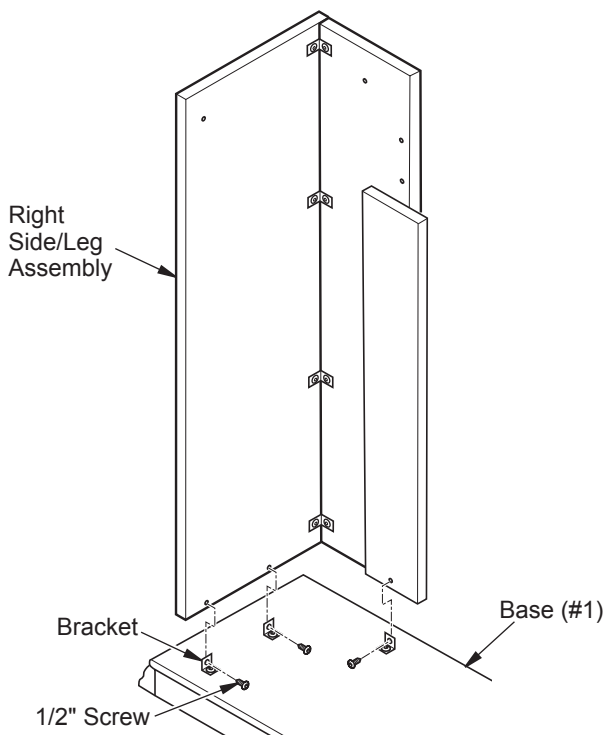


Figure 2 - Leg Assembly to Base

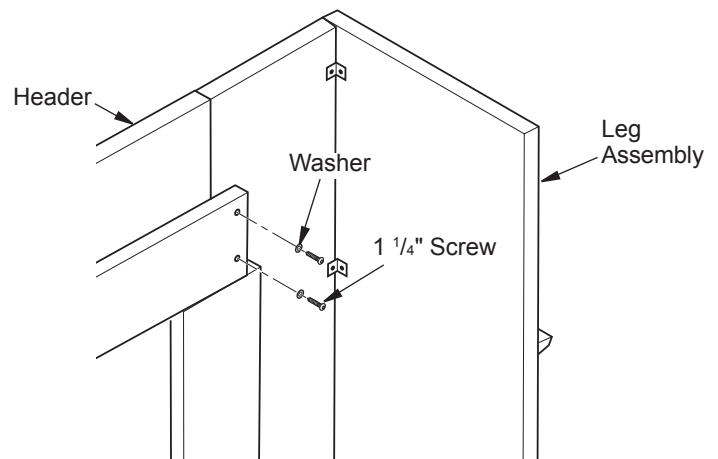


Figure 4 - Attaching Header to Leg Assembly

MANTEL TOP ASSEMBLY

Place mantel top (#7) on mantel assembly. Align back of top with back of sides. Using four 1 1/4" screws with washers, place two in each mantel side assembly (see Figure 5). With three 1 1/4" screws with washers, attach top to header. Make sure all pieces are aligned properly and tighten, leaving screws slightly loose.

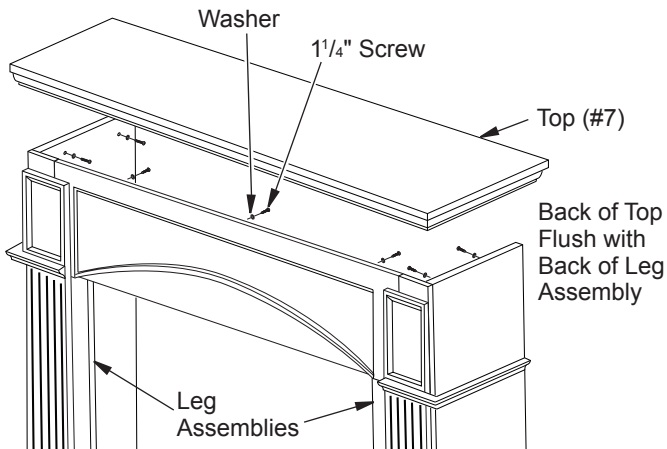


Figure 5 - Attaching Top to Leg and Header Assembly

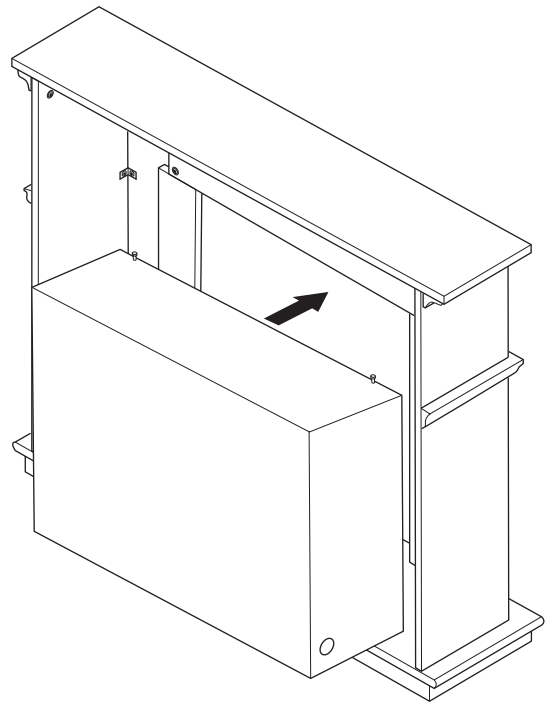


Figure 6 - Installing Fireplace

GAS FIREPLACE INSTALLATION

1. Fireplace should be fully assembled. See [Assembling Fireplace](#) in fireplace owner's manual.
2. Place mantel base close to installation location. See fireplace owner's manual for installation clearances. Leave enough room to insert fireplace from back of mantel.
3. Install gas line. See [Connecting to Gas Supply](#) in fireplace owner's manual. Remember to leave access to the gas shutoff valve somewhere on the base or where it is accessible to the user.
4. Check for leaks. See [Checking Gas Connections](#) in fireplace owner's manual.
5. Position fireplace inside mantel (see Figure 6). Carefully position gas lines. Important: Use caution when positioning fireplace on base. Base may scratch easily. Make sure fireplace is in proper position within mantel opening before continuing with installation.
6. **Fireplace with louver door:** Lower bottom louver door. Use two screws provided in hardware package and attach fireplace to wooden base. Close louver door.
Fireplace with fixed louver: Before installing logs or burner assembly (see owner's manual) remove screws securing floor to assembly. Lift floor for access to bottom of fireplace. Use two screws provided in fireplace hardware package and attach fireplace base to wooden base. Reinstall floor with screws removed previously.
7. Carefully push mantel and base into position against wall.

ELECTRIC FIREPLACE INSTALLATION

This mantel can be used with DESA Heating, LLC's 32" Electric Fireplace. Electric fireplaces install from the front of mantel. To install electric fireplace see fireplace instruction manual. Use caution when positioning fireplace on base. Base may scratch easily.



DESA Heating, LLC
2701 Industrial Drive
P.O. Box 90004
Bowling Green, KY 42102-9004
www.desatech.com
1-866-672-6040



122075 01
NOT A UPC

122075-01
Rev. B
10/08